

BM01 T-Lok

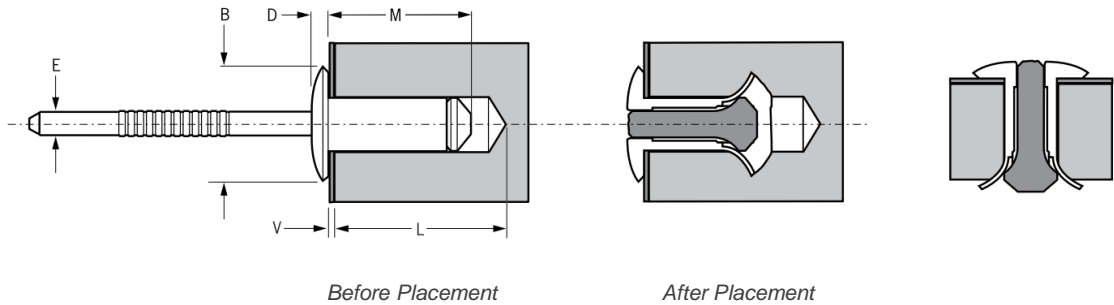
Dome head · Steel body · Steel stem · Peel Type
4.3 mm (.169") - 4.8 mm (3/16")

Features

- Cost-effective and efficient method of attaching metal to wood or other soft material without through holes
- 'Peel-type' tail formation makes it ideal for joining metal to wood, board or low density plastic
- Large bearing surface expands into blind hole providing superior pull-out force
- Ideal replacement for wood screws or self-tapping screws
- Multi-grip capability accommodates wide variations in material thickness

Material

- Body: Medium carbon steel, zinc plated, clear trivalent passivated
- Stem: Low carbon steel, zinc coated



Part No.	Size ø	Hole Size		M	øB	D	øE	V	L min. for		Pull-Out (typical) kN
		nom.	min.						max.	max. V	
0BM01-00510	4.3 (.169")	4.3	4.4	10.9	8.2	1.3	2.6	0.25	11.2	12.2	0.49
0BM01-00512				12.4					13.0		
0BM01-00520				18.7					12.7	20.1	
0BM01-00522				20.4					9.14	12.7	
0BM01-00614	4.8 (3/16")	4.8	4.9	14.3	10.2	2.1	2.9	0.25	10.4	15.7	0.98
0BM01-00620				18.9					7.62	13.0	

